



PL-3044
Pearl Series
Porcelain Sink

Features

- Rectangular Basin
- Overflow Drain
- Nonporous - Hygienic

Material

- Vitreous China

Installation

- Undermount



Available Color/Finishes

Intended for reference only

Color	Description
--------------	--------------------

- | | |
|--------------------------|-------|
| <input type="checkbox"/> | White |
| <input type="checkbox"/> | Bone |

6140 Ulmerton Road Clearwater, FL 33760

Phone: (727) 388-9895

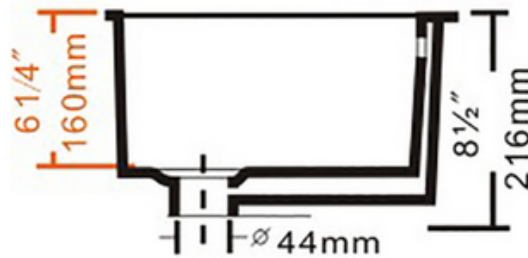
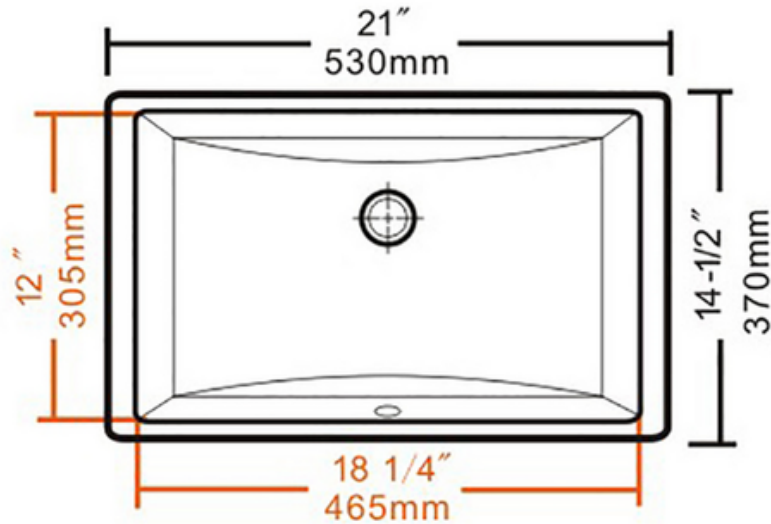
Fax: (727) 362-1281

For the most current Specification Sheet, go to www.pelicansinks.com





PL-3044
Pearl Series
Porcelain Sink



Technical Information

All product dimensions are nominal

Interior Measurements: 18 1/4" x 12" x 6 1/4"

Exterior Measurements: 21" x 14 1/2" x 8 1/2"

Bowl Configuration: Single

Finish: Vitreous China

Installation Information

Install this product according to the installation instructions.

Limited Lifetime Warranty

See website for detailed warranty information.

6140 Ulmerton Road Clearwater, FL 33760

Phone: (727) 388-9895

Fax: (727) 362-1281

For the most current Specification Sheet, go to www.pelicansinks.com

